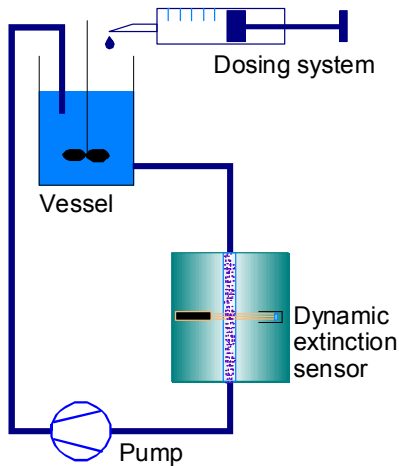
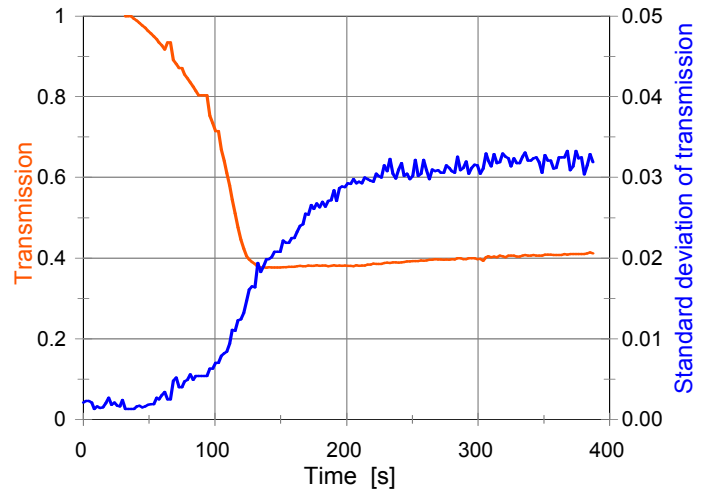


precipitation processes - *Aello* 1100 applications

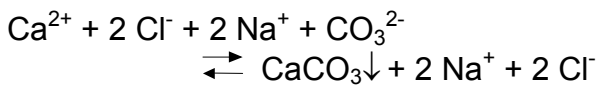
Experimental setup



Raw data

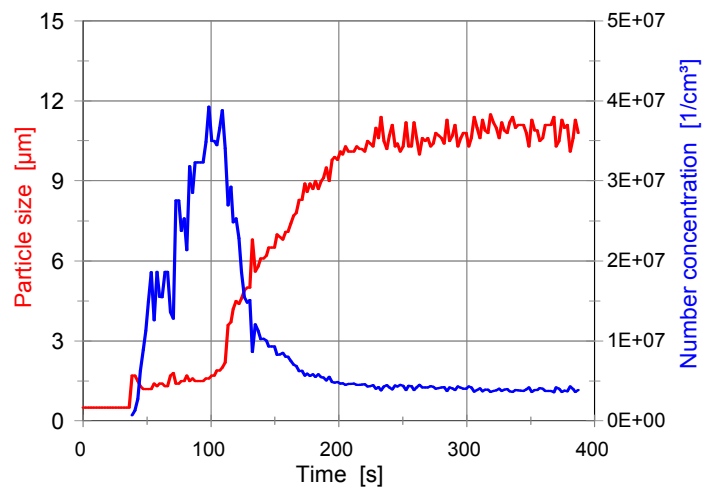


Precipitation at the following conditions



- 500 ml 0.02 m CaCl_2 solution
- precipitant: 15 ml 0.5 m Na_2CO_3 solution
- start of Na_2CO_3 dosing control 15 seconds after start of measurement
- dosing speed: 5 ml/min

Particle size and concentration



SEM-visualization of the precipitation product

